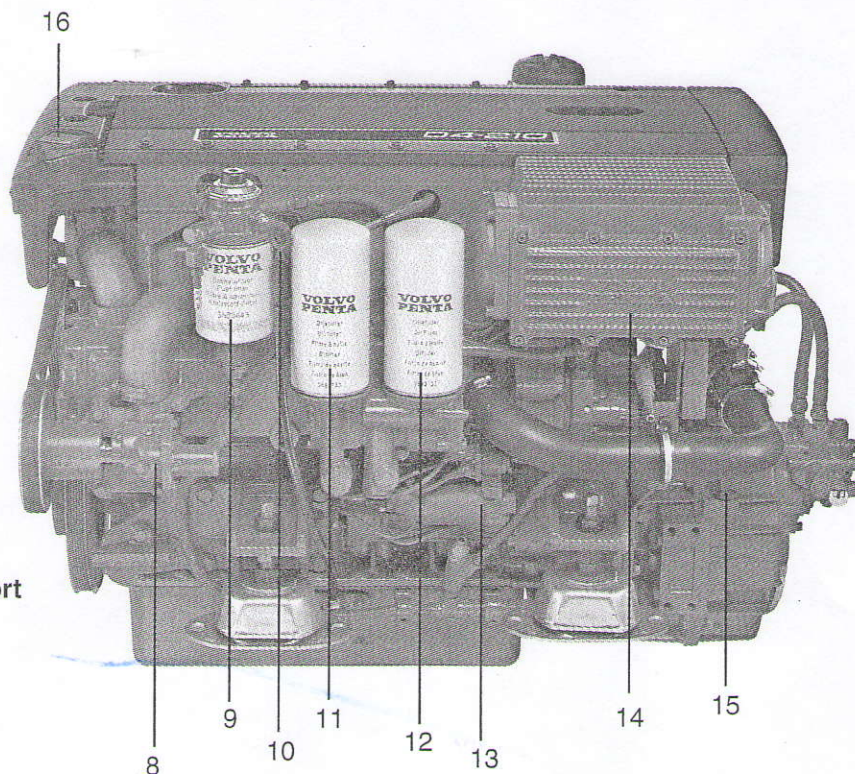


D4 with reverse gear, starboard

- 1. Turbocharger
- 2. Crankcase ventilation filter
- 3. Aux Stop
- 4. Air filter
- 5. EDC control module
- 6. Generator
- 7. Oil filler cap



D4 with reverse gear, port

- 8. Sea water pump
- 9. Fuel filter
- 10. Oil dipstick (engine)
- 11. Oil bypass filter
- 12. Oil filter
- 13. Starter
- 14. Charge air cooler
- 15. Oil dipstick (reverse gear)
- 16. Expansion tank